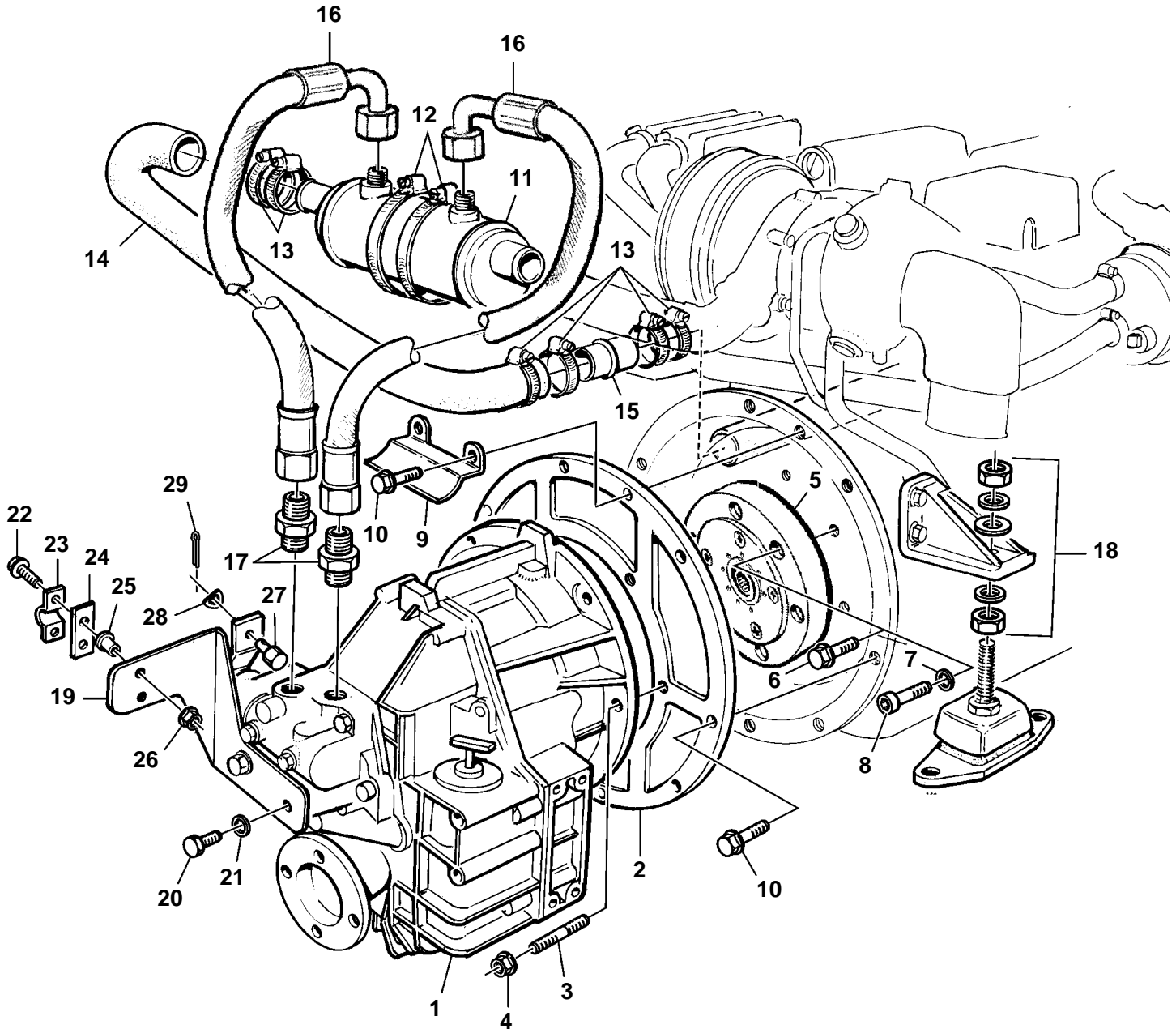


TMD41L-A, TAMD41P-A, TAMD41L-A, TAMD41M-A, TAMD41H-A



23050

TMD41L-A, TAMD41P-A, TAMD41L-A, TAMD41M-A, TAMD41H-A

REF	PART NO.	QTY	DESCRIPTION	NOTES
1		1	Reversing gear	
2	829489	1	Cover	
3	924075	6	Stud	
4	971095	6	Nut	
5	854753	1	Vibration damper	EARLIER PROD. Replaced by 1pcs 3582751, vibration damper, 6pcs 959227, screw and 6pcs 941907, spring washer.
	3582751		Vibration damper	LATER PROD
6	946173	9	Flange screw	
7	941907	6	Spring washer	LATER PROD
8	959227	6	Screw	LATER PROD
9	859592	1	Bracket	
10	946752	11	Flange screw	
11	872626	1	Oil cooler	
12	961674	2	Clamp	
13	961669	6	Hose clamp	
14	3581335	1	Hose	
15	861090	1	Tube	
16	3581387	2	Hydraulic hose	
17	856793	2	Nipple	
18		4	Engine suspension	SEE GROUP 21
19	3581336	1	Bracket	
20	940133	2	Screw	
21	976945	2	Washer	
22	956081	2	Screw	
23	819067	1	Brace	
24	819068	1	Washer	
25	843108	2	Bushing	
26	949874	2	Lock nut	
27	3852329	1	Cube	
28	941906	1	Spring washer	
29	17276	1	Cotter pin	